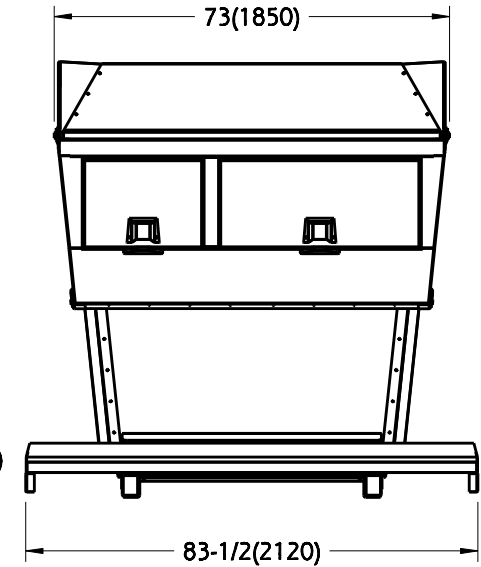
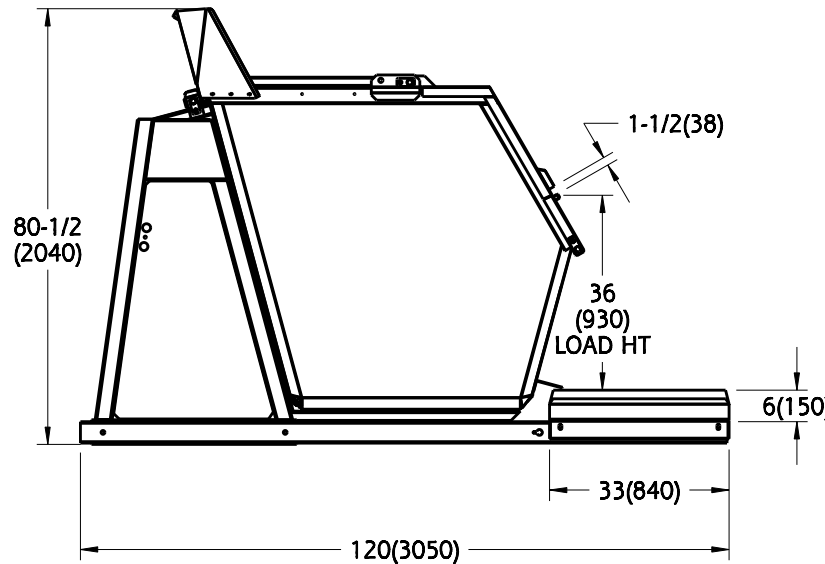
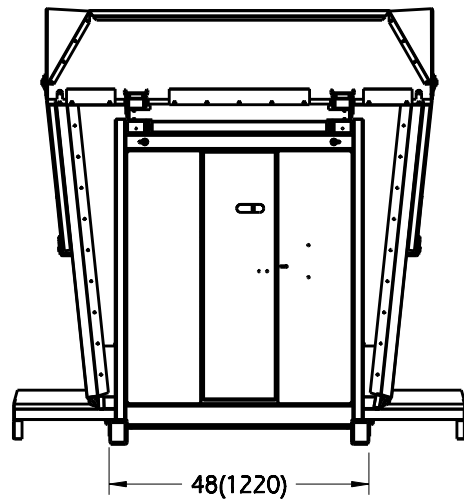
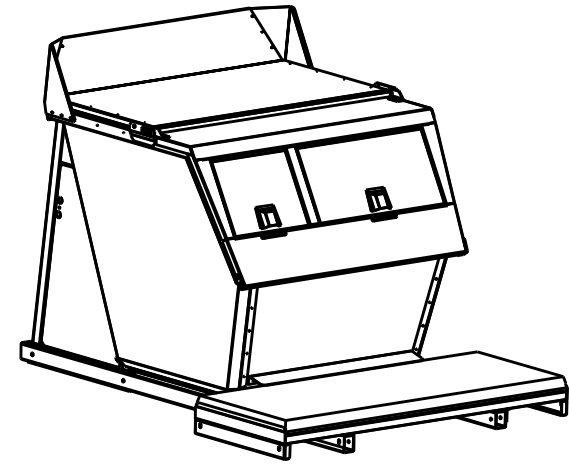


FEATURE	DESCRIPTION	SPECIFICATION
Capacity	Container Hopper Volume	4.25 cu.yd.(3.25 cu.meters)
Construction	Container Panels	12 Ga. (2.6) Galvanneal Steel
	Front Lid Assembly	12 Ga. (2.6) Galvanneal Steel
	User Loading Door	14 Ga. (1.9) Galvanneal Steel
	Unloading Door	14 Ga. (1.9) Galvanneal Steel
	Step Assembly	10 Ga. (3.5) Galvanneal Steel
	Sub Assemblies	Panels(Riveted) Frames (Welded)
	Paint	Powder Coat
Weights	Container With Step Assembly	2800lbs (1270kg)

ALL SPECIFICATIONS SUBJECT TO CHANGE WITHOUT NOTICE  
DRAWING NOT TO SCALE



NOTE: ALL DIMENSIONS INCHES (MILLIMETERS)

HAUL-ALL EQUIPMENT LTD. reserves proprietary rights on this drawing or any part of the information contained thereon. This drawing shall be considered confidential material and is not to be used for competitive bidding nor for use in any procurements other than from Haul-All Equipment Ltd.



NAME	HL4T CONTAINER	
PART NUMBER	SP-HL4T	DRAWN BY PS
DATE	NOVEMBER 1, 2016	REVISION 1