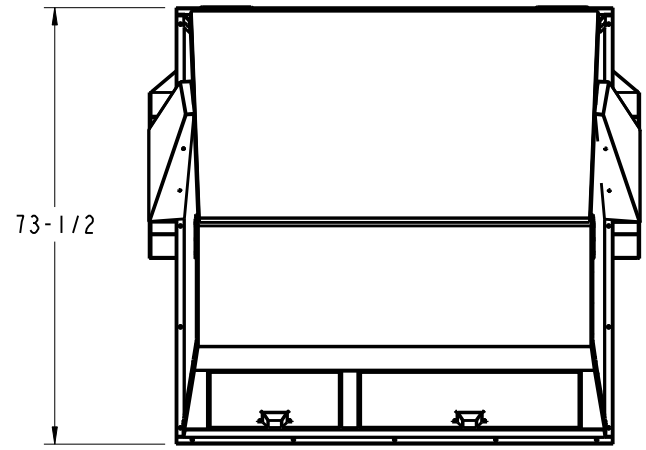
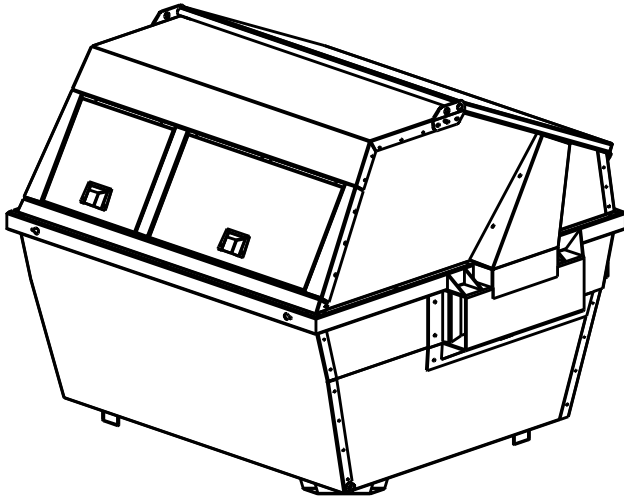


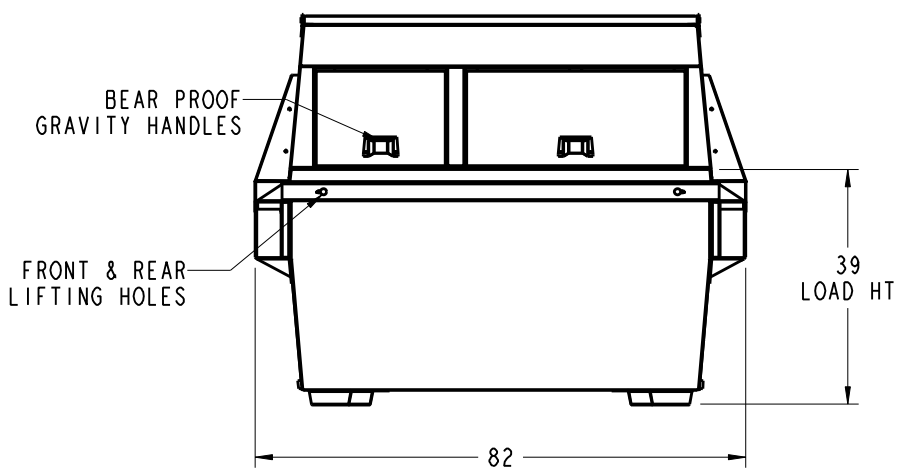
|                         |                             |                   |          |                         |
|-------------------------|-----------------------------|-------------------|----------|-------------------------|
| HAUL-ALL EQUIPMENT LTD. |                             | NO.               | REVISION | DCO NO<br>DATE          |
| PART NUMBER             | CFL6                        | DRAWN BY<br>PS-PS | 1        | RELEASED TO PRODUCTION. |
| NAME                    | 6YD BP FRONT LOAD CONTAINER |                   | 2        | X<br>X<br>X             |
| MATERIAL                | AS SHOWN                    | SCALE<br>11/320   | 3        | X<br>X<br>X             |
|                         |                             | FINISH<br>NONE    |          | X<br>X                  |

- ALL DIMENSIONS TO BE IN INCHES UNLESS OTHERWISE NOTED.  
- ALL DIMENSIONS TO BE  $\pm 1/32$ " UNLESS OTHERWISE NOTED.  
- ANGULAR TOLERANCES: FORMED:  $\pm 1^\circ$  ; MACHINED  $\pm 0.5^\circ$



FULLY AUTOMATED REAR  
BP UNLOADING DOOR

TOP & BOTTOM OF BIN  
IS NESTABLE FOR SHIPPING



2 TOPPER LIFTING HOLES

