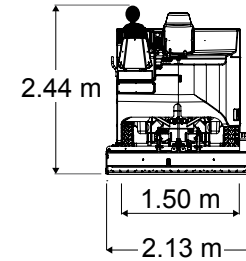
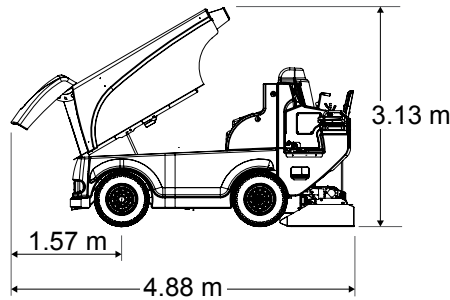
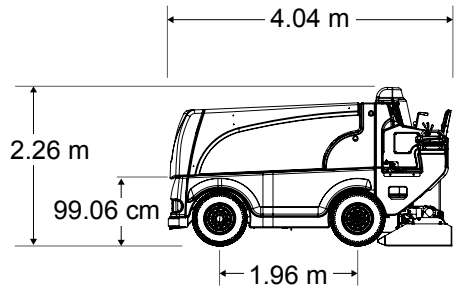


MODEL 650 ELECTRIC



CAPACITIES

Snow Tank

Actual Volume	3.0 m ³	106 cu. ft.
Compacted	3.74 m ³	132 cu. ft.

Water

Ice Making	757 L	200 gal.
Wash Water	227 L	60 gal.
Total	984 L	260 gal.

Hydraulic Oil	91 L	24 gal.
----------------------	------	---------

POWERTRAIN

Four-Wheel Drive

Motors

AC Hydraulic Pump Motor	8.2 kW	11 HP
AC Traction Motor	17.9 kW	24 HP

Battery Accommodates a variety of battery options*

Axles

Front	2717 kg	5990 lb
Rear	4159 kg	9170 lb

DIMENSIONS

Overall

	L	W	H	L	W	H
Snow Tank Down	4.04 m	2.13 m	2.26 m	159 in.	84 in.	89 in.
Snow Tank Up	4.88 m	2.13 m	3.13 m	192 in.	84 in.	123 in.

Shaving Blade

	L	W	H	L	W	H
195.6 cm 77 in. Blade	195.6 cm	12.7 cm	1.27 cm	77 in.	5 in.	0.5 in.

Clearance

Minimum Operator Height Clearance		243.8 cm	96 in.
Snow Pit Clearance		99.06 cm	39 in.

Conveyor System

Horizontal Auger Diameter	25.4 cm	10 in.
Vertical Auger Diameter	25.4 cm	10 in.

Manueverability

Wheelbase	1.96 m	77 in.
Wheel Track	1.50 m	59 in.
Turning Radius at Conditioner	4.83 m	15 ft. 10 in.

Weight

Empty	4853 kg	10700 lb
with Water	5670 kg	12500 lb



Automatic Snow Breaker

Eliminates the need for manual control of the snow breaker by the machine operator.

*optional equipment



Zamboni Power Brush™

Wider brush path reaches higher on the dasher board kick plate for superior cleaning power.



Ergonomic Seat

Designed with the operator in mind, our premium seat has optimal adjustability.

*optional equipment

MODEL 650 ELECTRIC

STANDARD FEATURES

2 Year Warranty
400 Micron Wash Water Deep Filter Bag
Aluminum Alloy Wheels
Automatic Snow Breaker
Battery Charger: Microprocessor Controlled
Brushless AC Motors
Chassis: Strong All Welded Steel Tubing
Conditioner Safety Guards
Dependable Sevcon® Gen4 Controls
Digital Training and Reference Materials
Dual Water Fill Pipes
Electric Water Level Gauge
Familiar Automobile-Style Foot Controls
Four-Wheel Drive
Guide Wheel
Headlights and Tail Light (for off ice travel)
High Quality 9 Micron Filter
High Speed Vertical Auger
Hydraulic Oil Level Sight Gauge
On-Dash Diagnostics
Operator Area Storage Bins
Parking Brake
Power Steering
Premium Polyester Felt Spreader Towel
Replaceable Poly Conditioner Side Plate
Rugged Dana Spicer® Axles
Rust-Free Poly Ice Making Water Tank
Rust-Free Poly Wash Water Tank
Single Point Battery Watering System
Snow Tank Maintenance Support
Spare Tire and Wheel
Stainless Steel Water Distribution Pipe
Steering Wheel Spinner Knob
Touch-Up Paint Kit
Tungsten Carbide Studded Tires
Wide Spectrum of Premium Automotive Paint Colors
Zamboni Power Brush™ Board Brush System

OPTIONS

Advanced Water System (AWS™)
Back Up Alarm
Blade Change System
Board Spray
Conditioner: 96" Blade
Conditioner: Galvanized
FastICE® Ice Making System
Heated Ergonomic Comfort Design Seat
• Armrest
• Seatbelt
IceCaps® Wheel Advertising System
Level-Ice™
Rotating Beacon Light
Snow Tank Light
Tire Wash System
Wash Water to Ice Making Water Transfer
Zamboni Connect™ System