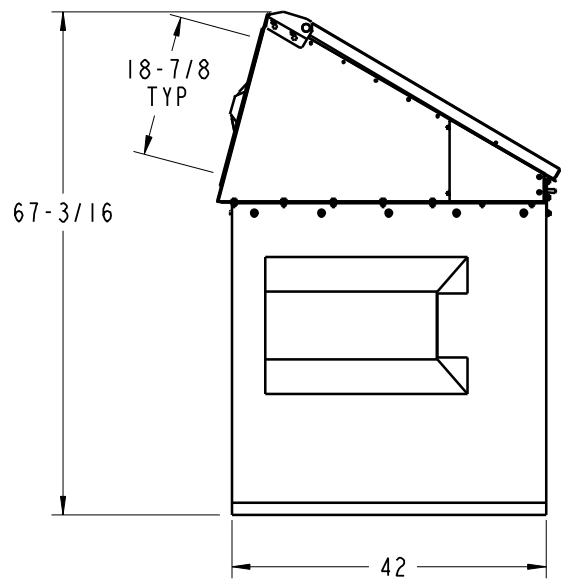
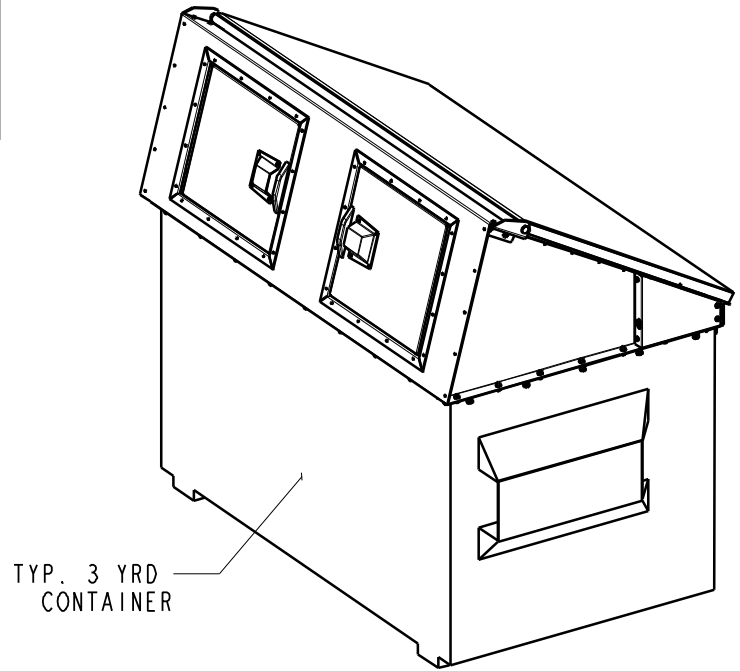
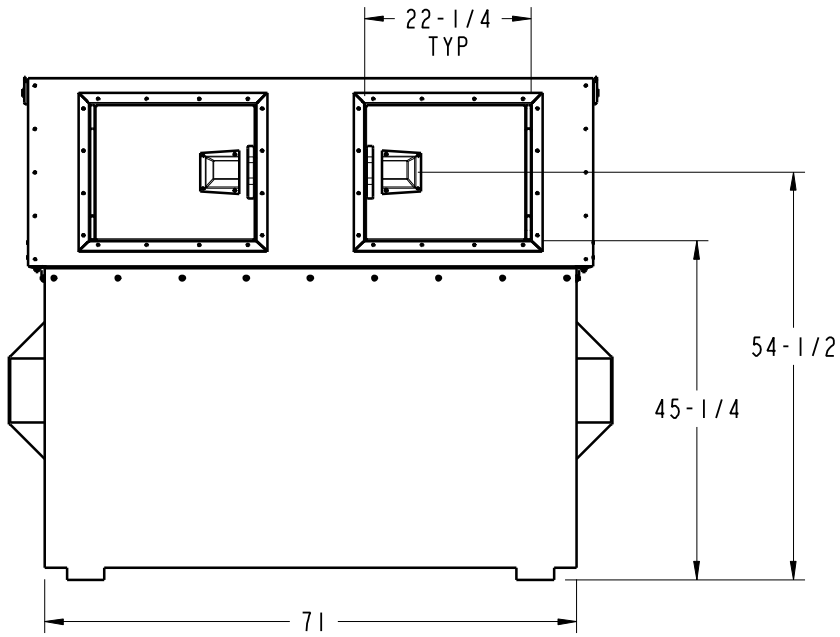
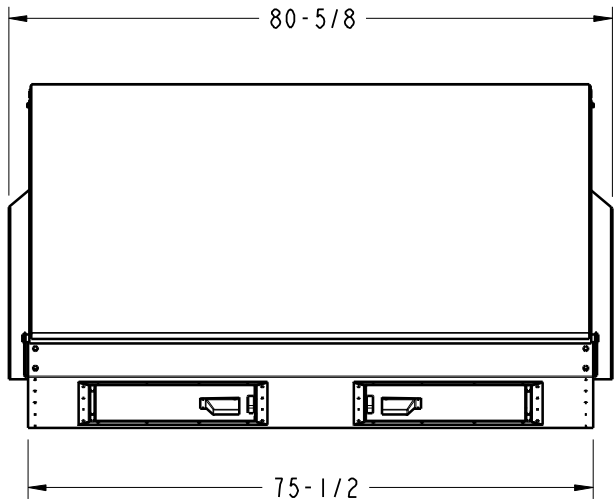


HAUL-ALL EQUIPMENT LTD.		NO.	REVISION	DCO NO DATE
PART NUMBER	BT-1705	1	RELEASED TO PRODUCTION.	D2381 TS 25 MAY 2010
NAME	BIN TOP ASSY RIVETED PANELS	2	X X X	X X
MATERIAL	AS SHOWN	3	X X X	X X
	SCALE 13/320			
	FINISH NONE			

- ALL DIMENSIONS TO BE IN INCHES UNLESS OTHERWISE NOTED.
- ALL DIMENSIONS TO BE $\pm 1/32$ " UNLESS OTHERWISE NOTED.
- ANGULAR TOLERANCES: FORMED: $\pm 1^\circ$; MACHINED $\pm 0.5^\circ$



HAUL-ALL EQUIPMENT LTD.		NO.	REVISION	DCO NO DATE
PART NUMBER	BT-2700	1	RELEASED TO PRODUCTION.	PS 26 OCT 11
NAME	5.5YD NESTABLE BIN (CONCEPT)	2	X X X	X X
MATERIAL	AS SHOWN	3	X X X	X X
	SCALE 11/320			
	FINISH NONE			

- ALL DIMENSIONS TO BE IN INCHES UNLESS OTHERWISE NOTED.
- ALL DIMENSIONS TO BE $\pm 1/32$ " UNLESS OTHERWISE NOTED.
- ANGULAR TOLERANCES: FORMED: $\pm 1^\circ$; MACHINED $\pm 0.5^\circ$

